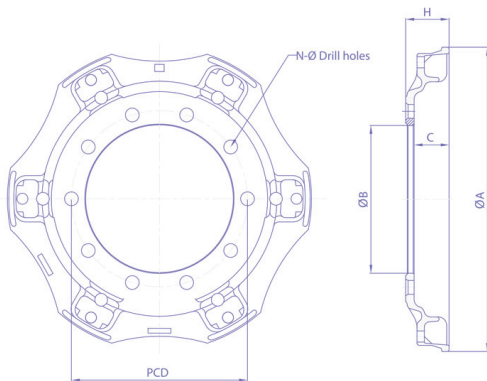
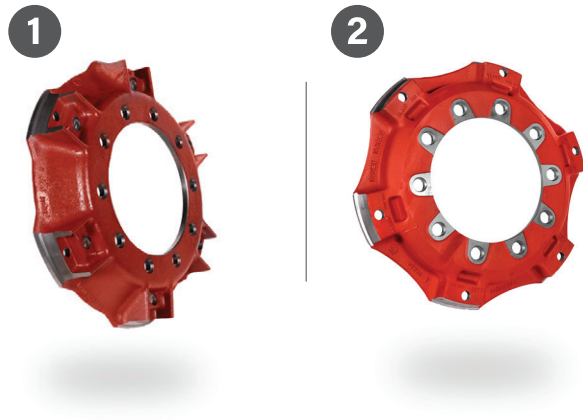




Spoke Wheels Front

Our spoke wheels are designed to improve the handling and enhance the ride characteristics of the towed vehicle. We are continually evaluating to ensure that it helps to ensure the quality of Arabian Axles' product.



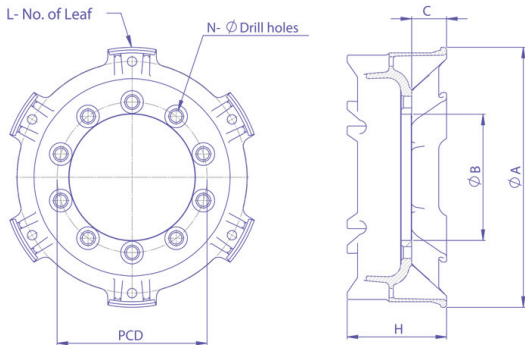
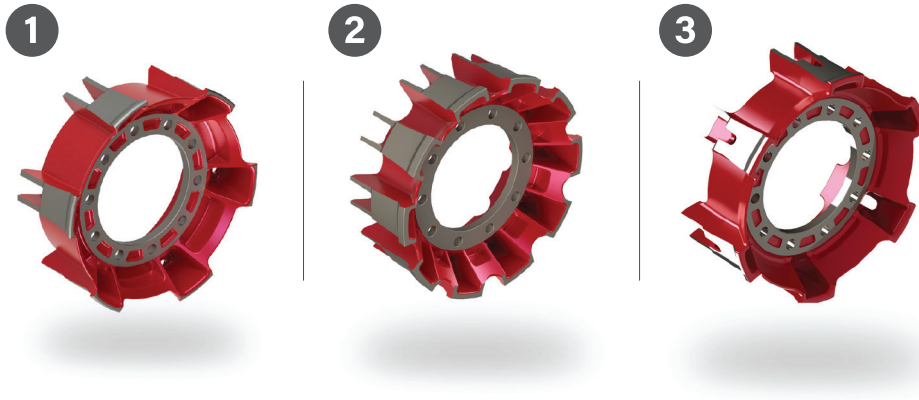
Spoke Wheel
for **Front Wheels**

Spoke Wheel Front

SN.	PART NAME	PART NO.	A	B	H	C	PCD	N	Ø
1	SPOKE WHEEL FRONT	604 260 023	578.6	281	83	67	335	10	25.2
2	SPOKE WHEEL FRONT	604 260 181	578.6	281	82.5	66.5	335	10	21



Spoke Wheels Rear



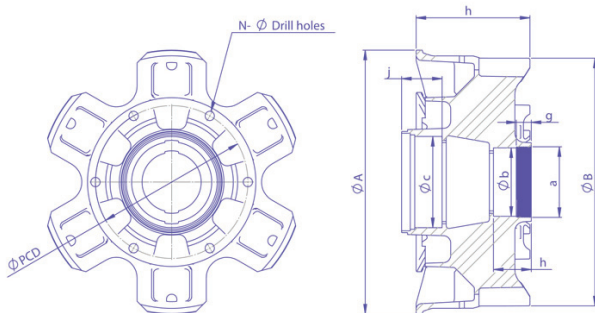
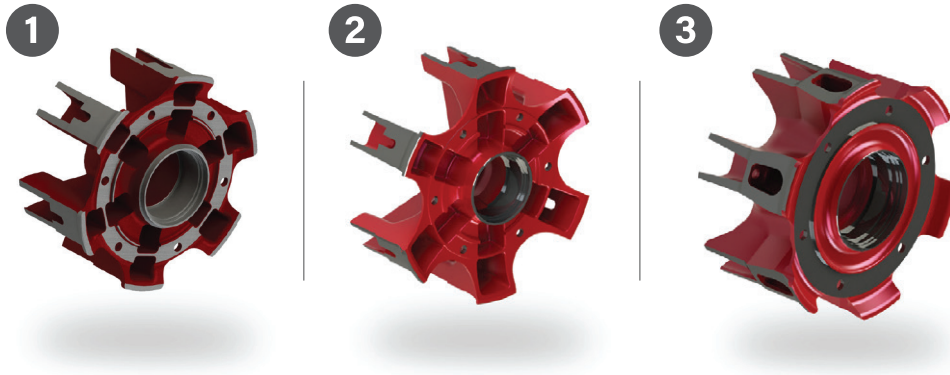
**Spoke
Wheel**
for **Rear Wheels**

Spoke Wheel Rear

SN.	PART NAME	PART NO.	A	B	H	C	L	PCD	N	Ø
1	SPOKE WHEEL REAR	604 260 054	578.6	281	222	78	6	335	10	26
2	SPOKE WHEEL REAR	604 260 054-9HE	578.6	281	223	76	9	335	10	26
3	SPOKE WHEEL REAR	604 260 232	578.6	281	224	79	6	335	10	26.2



Spoke Wheels Spider



Spoke Wheel
for Spider Wheels

Spoke Wheel Spider

SN.	PART NAME	PART NO.	A	B	H	a	b	c	j	h	g	PCD	N
1	SPOKE WHEEL SPIDER	604 202 188 -12T 20"	477	444	247	M125X3	120	150	74	57	23	335	6
2	SPOKE WHEEL SPIDER	604 260 054-9HE	578.6	281	223	76	9	335	10	26	26	26	26
3	SPOKE WHEEL SPIDER	604 260 232	578.6	281	224	79	6	335	10	26.2	26.2	26.2	26.2