



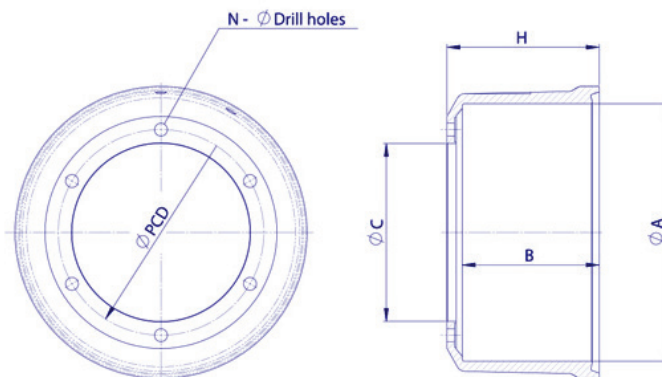
Brake Drums

Our brake drums give robust performance with ease of servicing and reduce life cycle cost. Our continuous development in design helps us optimizing the technology offer improved sealing and minimal wear.

Benefits

- Ease of service & maintenance.
- Optimal designs to perform under toughest conditions.
- Long life expectancy, reduced costs.
- More economical and less wear & tear.
- Fast Installation due to significant development in designs.
- Improved sealing system that reduces dust.
- Easy to inspect the brake drum for pad wear.
- Less Noise, environmental protection.

Brake Drums





Brake Drums

SN.	PART NAME	PART NO.	A	B	H	C	PCD	N	Ø
1	BRAKE DRUM	310 667 290	420	210	238	290	335	6	21
2	BRAKE DRUM	310 667 560	420	223	248	290	335	6	21
3	BRAKE DRUM	305 421 0401	410	167	213	298	335	10	23
4	BRAKE DRUM	305 423 0401	410	239	306	298	335	10&5	23&24
5	BRAKE DRUM	500 3 012	420	202	225	290	335	10	23
6	BRAKE DRUM	346 423 0601	410	172	270	298	335	10&5	23&24
7	BRAKE DRUM	346 423 0501	410	193	280	298	335	10	23&24
8	BRAKE DRUM	310 677 630	420	215	297.5	290	335	10	23
9	BRAKE DRUM	624 421 0201	410	192	237	298	335	10	23
10	BRAKE DRUM	338 028 5100	380	191	271	285	335	10	23
11	BRAKE DRUM	301 423 1201	410	239	306	298	335	10	23
12	BRAKE DRUM	310 677 720	420	228	286	290	335	10	22.5