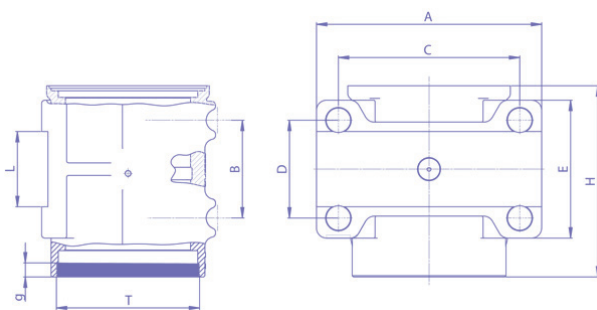
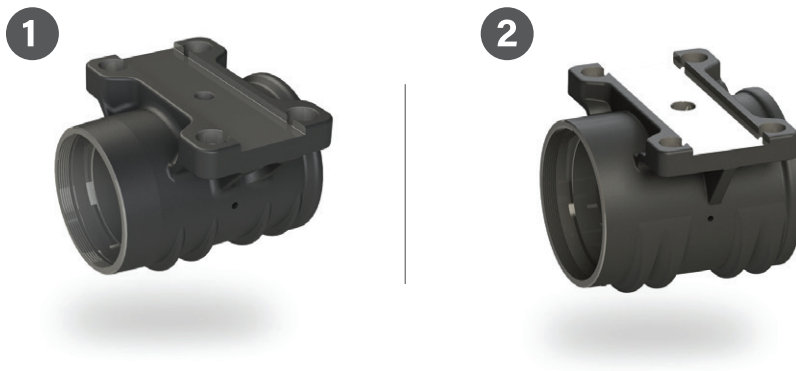




Bearing Support

Arabian Axles bearing supports are engineered and manufactured at high quality standards to deliver precise bearing mechanism to freely rotate the bearing stand assembly which offers maximum support to the complete system.



Bearing Support

Bearing Support

SN.	PART NAME	PART NO.	A	B	H	T	C	D	E	L	g	N	Ø
1	Bearing Support - 12T	300-198	269	126	276	M1705X3	233	127	190	90.85	16	4	38
2	Bearing Support - 14-16T	300 724	360	156	305	M230X3	290	156	220	120.8	22	4	39